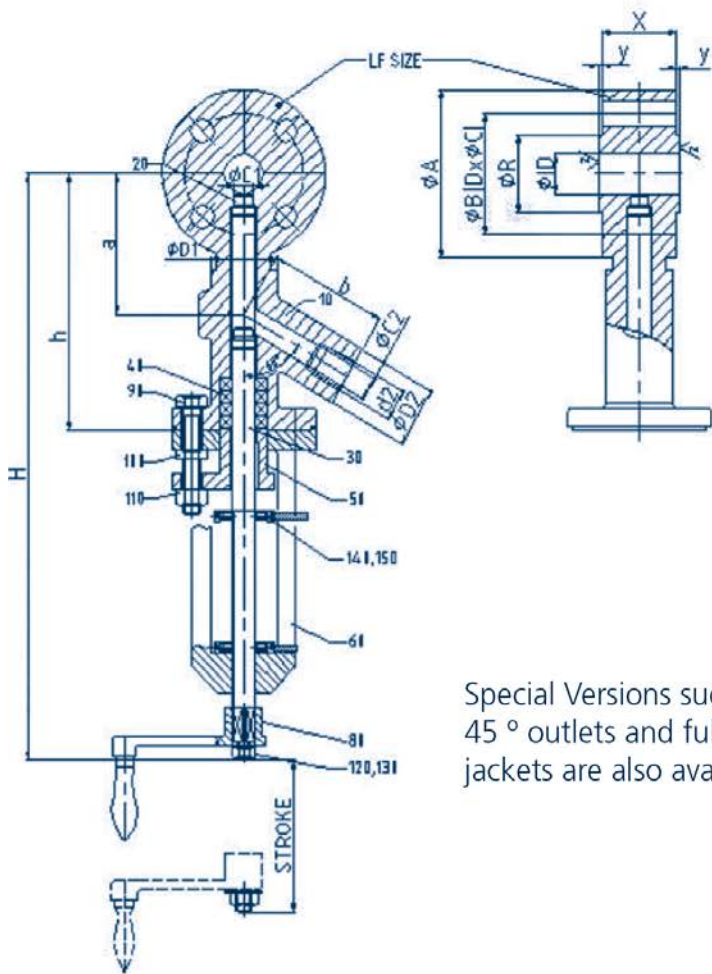




Model 32PF "Integral Flange" Onderdelen & Maten



Model 31PF Parts List:

POS NO	DESCRIPTION	MATERIAL	QTY
10	BODY	ASTM GR.CF-8M / 1.4408	1
20	DISC	SS 316 / 1.4401	1
30	SPINDLE	SS 316 / 1.4401	1
40	PACKING RING	PTFE / GRAPHITE	4
50	STUFFING BOX	ASTM GR CF-8M / 1.4408	1
60	YOKE	SS 303 / 1.4305	1
80	CRANK HANDLE	ASTM GR.CF-8 / 1.4308	1
140	INDICATOR	SS 303 / 1.4305	1

Special Versions such as 45 ° outlets and full heating jackets are also available.



Max. Temperature:
 PTFE Packing Rings: 260°C
 Graphite Packing Rings: 550°C

Pressure Rating:
 Valves rated to ASME 600

Available insert sizes:

LF SIZE (ANSI) ANSI 150 to 600	1/2"	3/4"	1"	1 1/4"	1 1/2"	2"	2 1/2"	3"	3 1/2"	4"	5"	6"	8"	10"	12"
LF SIZE (DIN) PN 10 to PN 63	DN 10	DN 15	DN 20	DN 25	DN 32	DN 40	DN 50	DN 65	DN 80	DN 100	DN 125	DN 150	DN 200	DN 250	DN 300