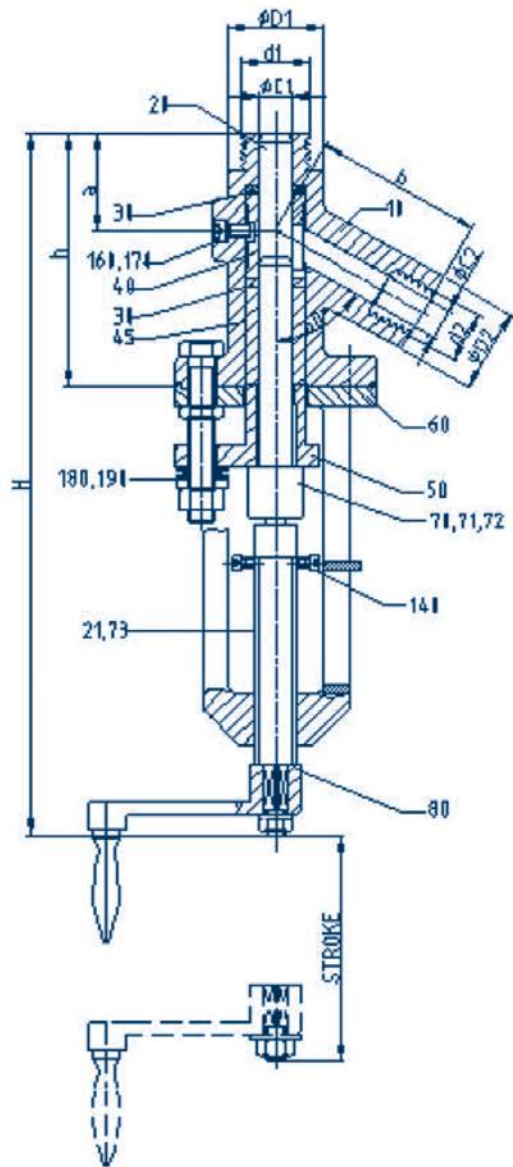




# Model 32FR "Rod Seal®" Onderdelen & Maten



## Model 32FR Parts List:

| POS NO | DESCRIPTION           | MATERIAL                 | QTY |
|--------|-----------------------|--------------------------|-----|
| 10     | BODY                  | ASTM GR.CF-8M / 1.4408   | 1   |
| 20     | RAM                   | SS 316 / 1.4401          | 1   |
| 21     | SPINDLE               | SS416 / 1.4005           | 1   |
| 30     | SEALING RING          | PTFE / GLASS 25%         | 2   |
| 40     | PRESSURE SLEEVE       | SS 316 / 1.4401          | 1   |
| 45     | GUIDE BUSH            | SS 316 / 1.4401          | 1   |
| 50     | STUFFING BOX          | ASTM GR.CF-8M / 1.4408   | 1   |
| 60     | YOKE                  | SS 303 / 1.4305          | 1   |
| 70     | CONNECTING NUT        | SS416 / 1.4005           | 1   |
| 71     | ROLL / SPRING PIN     | CARBON STEEL             | 1   |
| 72     | STEM BUTTON           | SS TYPE 17-4 PH / 1.4541 | 1   |
| 73     | ROLL / SPRING PIN     | CARBON STEEL             | 1   |
| 80     | CRANK HANDLE          | ASTM GR.CF-8 / 1.4308    | 1   |
| 140    | INDICATOR             | SS 303 / 1.4305          | 1   |
| 160    | SOCKET HEAD CAP SCREW | A2-70                    | 1   |
| 170    | GASKET                | FLUOROLOY K              | 2   |
| 180    | CUP SPRING            | 1.4122                   | 8   |
| 190    | WASHER                | A4                       | 2   |

Dimension Table: (Sizes in inches, others in mm)

| SIZE        | ØD |    | d1 d2  |      | ØC1 | ØC2 | a  | b  | h   | H   | STROKE |
|-------------|----|----|--------|------|-----|-----|----|----|-----|-----|--------|
|             | 1  | 2  | NPT    | NPT  |     |     |    |    |     |     |        |
| 1/2" x 1/2" | 45 | 40 | 1/2"   | 1/2" | 13  | 15  | 47 | 80 | 123 | 345 | 60     |
| 3/4" x 1/2" | 45 | 40 | 3/4"   | 1/2" | 16  | 15  | 47 | 80 | 123 | 345 | 60     |
| 3/4" x 3/4" | 45 | 40 | 3/4"   | 3/4" | 16  | 15  | 47 | 80 | 123 | 345 | 60     |
| 1" x 1/2"   | 45 | 40 | 1"     | 1/2" | 16  | 15  | 47 | 80 | 123 | 345 | 60     |
| 1" x 3/4"   | 45 | 40 | 1"     | 3/4" | 16  | 15  | 47 | 80 | 123 | 345 | 60     |
| 1 1/2" x 1" | 60 | 45 | 1 1/2" | 1"   | 25  | 25  | 47 | 90 | 140 | 360 | 65     |

### Max. Temperature:

PTFE Sealing Rings: 200°C

Blue Guard Sealing Rings: 370°C

### Pressure Rating:

Valves rated to ASME 600